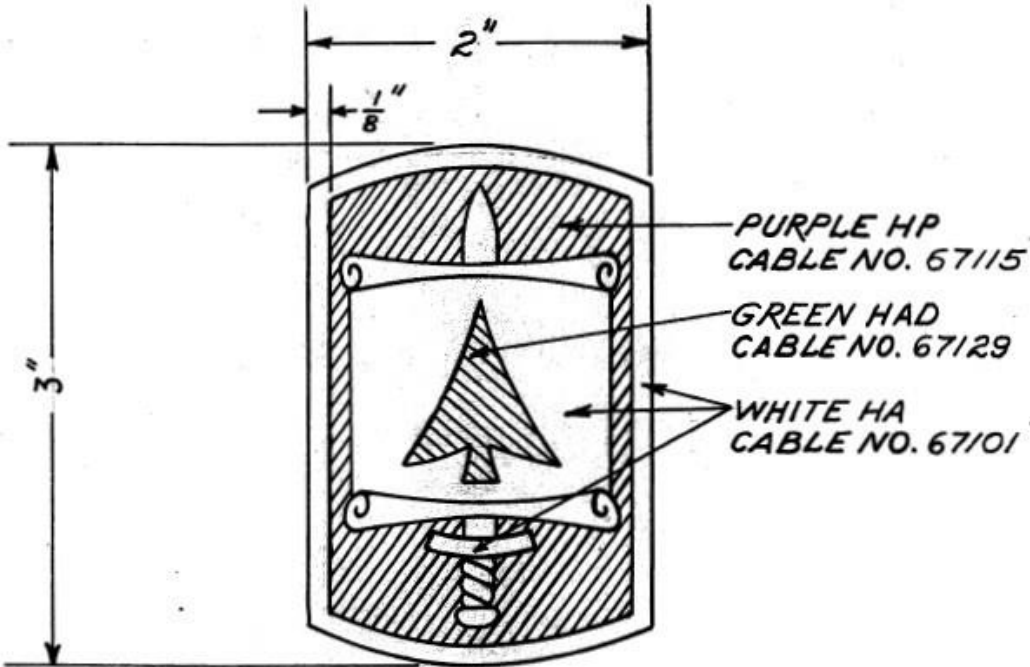


FOR SUBDUED INSIGNIA
 PURPLE BACKGROUND AND
 GREEN FIR TREE TO BE OD
 HAH, CABLE NO. 67133.
 WHITE AREAS TO BE BLACK
 HAN, CABLE NO. 67138.

REVISIONS			
LTR	DESCRIPTION	DATE	APPROVED



STITCH COUNT
 6896 STITCHES (MINIMUM)
 100/2 DENIER
 8/4 SPAN
DESIGNED FOR OVEREDGE STITCHING

UNLESS OTHERWISE
 SPECIFIED DIMEN-
 SIONS ARE IN INCHES
 TOLERANCES ON
 FRACTIONS DECIMALS
 ANGLES

EXAMINED	CAR	
CHECKED	got	gk
PREPARED	TIP	

THE INSTITUTE OF HERALDRY U.S. ARMY
 CAMERON STATION ALEXANDRIA, VA. 22314

SHOULDER SLEEVE INSIGNIA
364TH CIVIL AFFAIRS BRIGADE
 U.S. ARMY RESERVE

MATERIAL:

APPROVED
D.K. Baxter
 D.K. BAXTER, COLONEL, GS,
 DIRECTOR

SIZE	CODE IDENT. NO.	A-1-606
A	22571	

SCALE FULL DATE 30 DECEMBER 1976